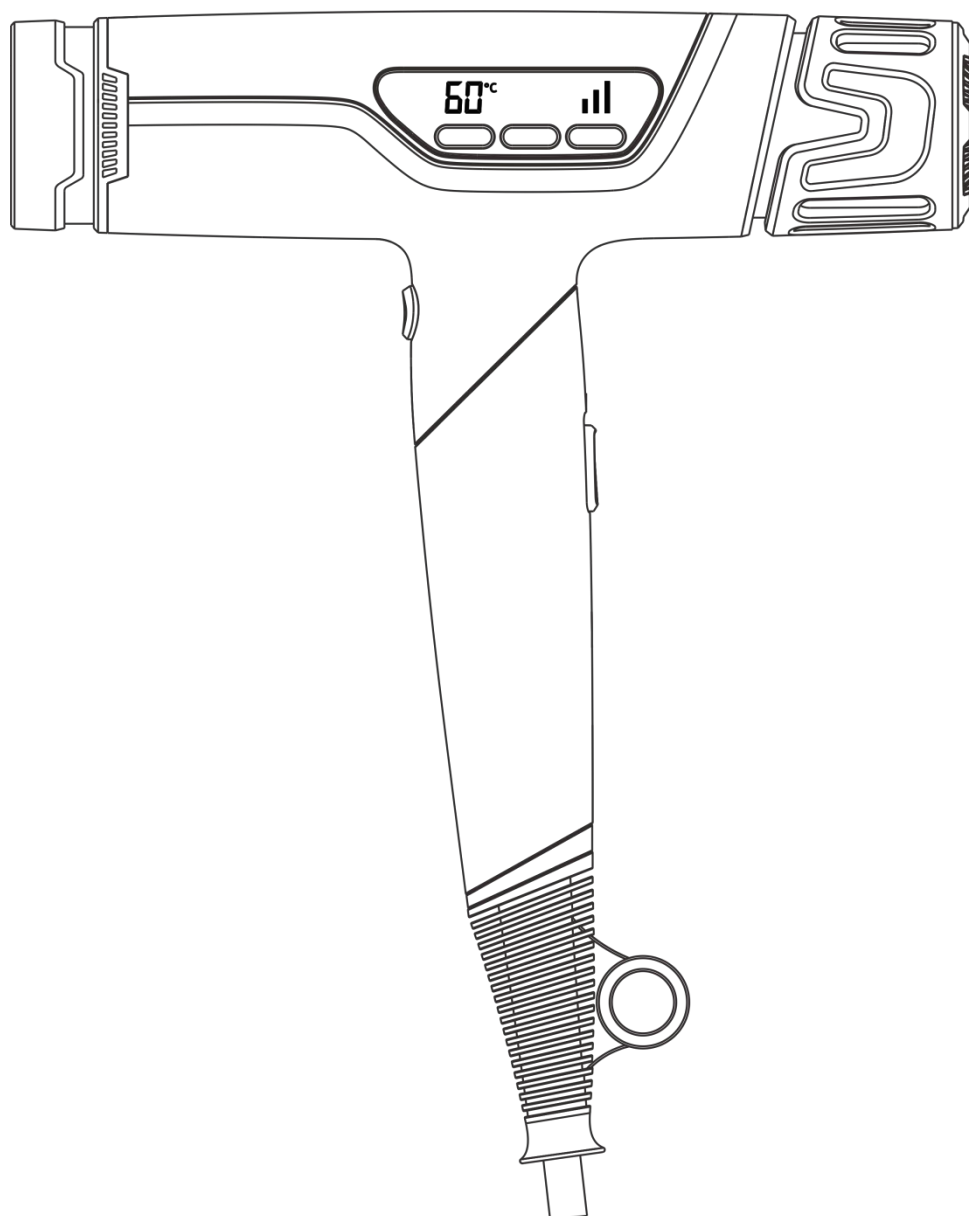


Professional Ionic Supersonic Hair Dryer



Introduction

Congratulations on the purchase of your new appliance

You have selected a high-quality product. The operating instructions are part of this product. They contain important information about safety, usage and disposal. Before using the product, please familiarise yourself with all operating and safety instructions. Use the product only as described and for the range of applications specified. Please also pass these operating instructions on to any future owner.

Intended use

This appliance is intended only for drying human hair. Under no circumstances is it to be used for wigs and hairpieces made of synthetic material. This appliance is intended exclusively for private use. This appliance is not for commercial applications. Heed all the information in these operating instructions, especially the safety information.

Danger if not used as intended!

Failure to use the appliance for its intended purpose and/or any other type of use can be hazardous.

Use the appliance only for intended purpose.

Observe the procedures described in these operating instructions.

The appliance is not intended for any other purpose, nor for use beyond the scope described. No claims of any kind will be accepted for damage arising as a result of incorrect use. The risk shall be borne solely by the user.

IMPORTANT SAFETY INSTRUCTIONS

When using electrical appliances, especially when children are present, basic safety precautions should always be followed, including the following:

READ ALL INSTRUCTIONS BEFORE USING

KEEP AWAY FROM WATER

DANGER—As with most electrical appliances, electrical parts are electrically live even when the switch is off:

WARNING – To reduce the risk of burns, electrocution, fire, or injury to persons:

1. An appliance should never be left unattended when plugged in.
2. Close supervision is necessary when this appliance is used by, on, or near children or individuals with certain disabilities.
3. Use this appliance only for its intended use as described in this manual. Do not use attachments not recommended by the manufacturer.
4. Never operate this appliance if it has a damaged cord or plug, if it is not working properly, or if it has been dropped, damaged, or dropped into water. Return the appliance to a service center for examination and repair.
5. Keep the cord away from heated surfaces. Do not wrap the cord around the appliance.
6. Never block the air openings of the appliance or place it on a soft surface, such as a bed or couch, where the air openings may be blocked. Keep the air openings free of lint, hair, and the like.
7. Never use while sleeping.
8. Never drop or insert any object into any opening or hose.
9. Do not use outdoors or operate where aerosol (spray) products are being used or where oxygen is being administered.
10. Do not use an extension cord with this appliance.
11. This appliance is hot when in use. Do not let eyes or bare skin or other heat sensitive areas touch heated surfaces.
12. Do not place the heated unit directly on any surface while it is hot or plugged in
13. This appliance is for household use only.
14. Do not plug or unplug this appliance when your hands are wet.
15. Always unplug this appliance from the electrical outlet immediately after using.
16. Do not use attachments not recommended by the manufacturer.
17. Attachments may be hot during use. Allow them to cool before handling.
18. Do not place appliance on any surface while it is operating.
19. Do not operate with a voltage converter.



WARNING: Do not use this appliance near bathtubs or other vessels containing water. The proximity of water is hazardous, even if the appliance is switched off.



This appliance has been designed with a double - insulation system for your safety. No user action is required to switch the product between 50 and 60Hz. The product adapts automatically to either 50 or 60 Hz.

PRODUCT WARRANTY

The product warranty is governed by regulations in force and applied upon showing the original legible purchase receipt complete of all its parts. For support service under warranty, please take the original purchase receipt to the store where the product was purchased.

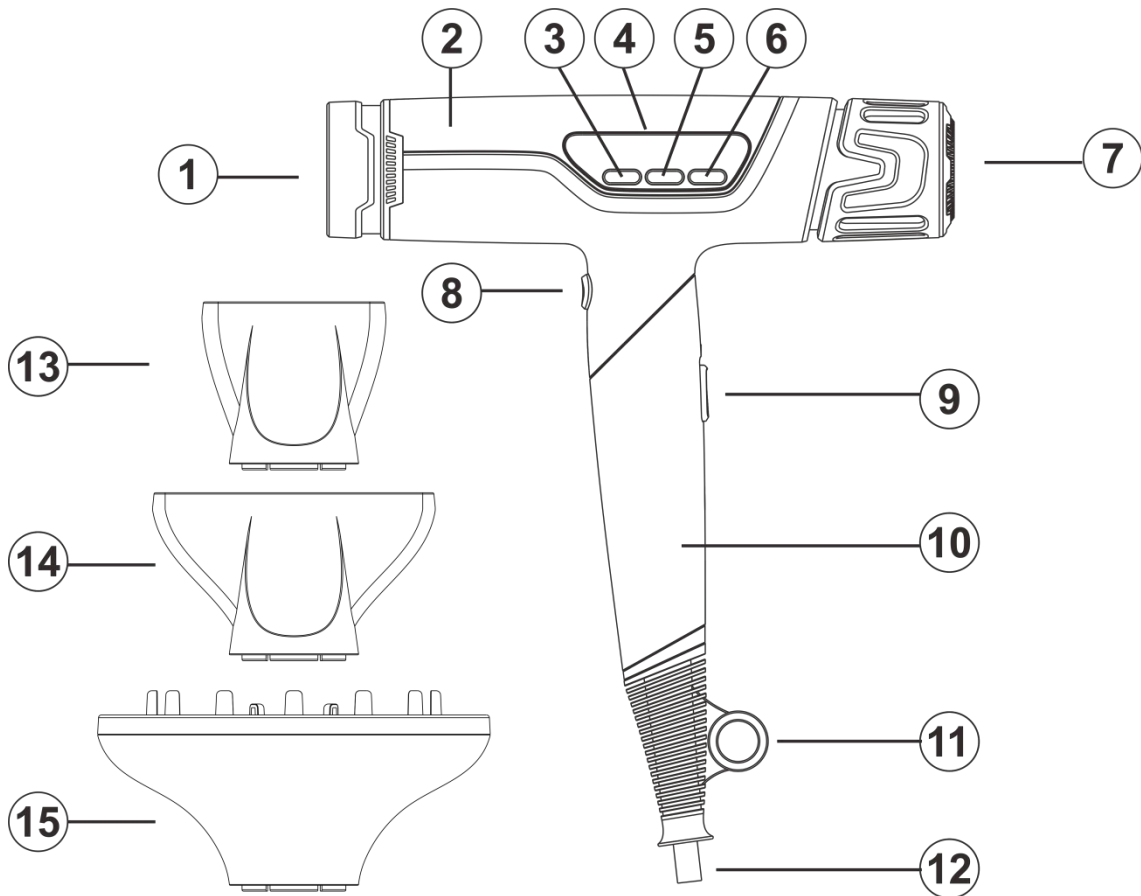


Fig. 2

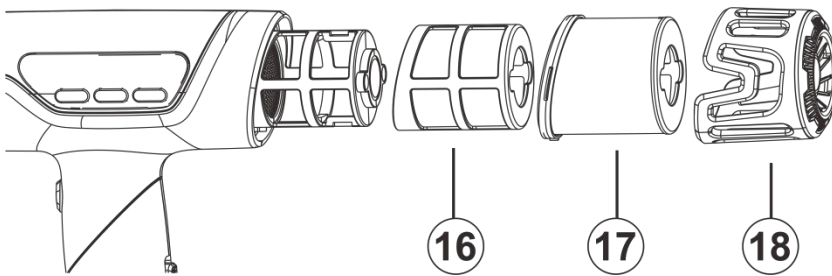


Fig. 3

- 1-- Air outlet
- 2-- Housing
- 3-- Temperature setting
- 4-- LED digital display
- 5-- Mode selection
- 6-- Air flow setting
- 7-- Air inlet
- 8-- Cool shot button
- 9-- On/off button

- 10-- Foldable handle
- 11-- Cable protective
- 12-- Power cord
- 13-- Small nozzle
- 14-- Middle nozzle
- 15-- Diffuser
- 16-- Nylon mesh filter
- 17-- Metal mesh filter
- 18-- Magnetic filter cap

USE INSTRUCTIONS

- 1-Make sure that your hands are completely dry before connecting the appliance to the power outlet.
- 2-Connect the hair dryer and switch the power switch from ON to OFF. (fig. 4)
- 3-Adjust temperature to best meet your needs.

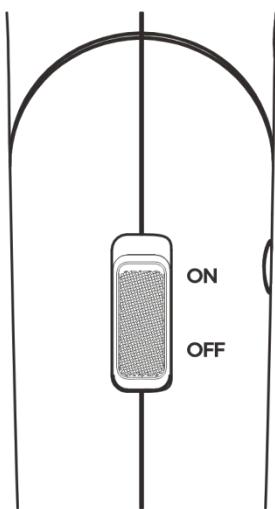


fig.4

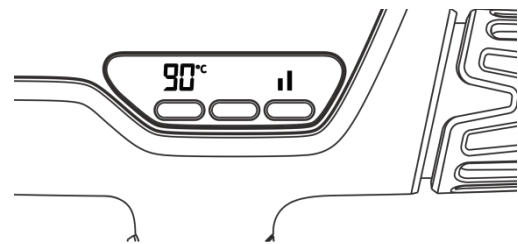


fig.5

When switched on for the first time, the hair dryer will (suggest) blow air at the minimum temperature and intensity.(Smooth mode 1setting) (fig. 5)

AIR FLOW SPEED

The hair dryer is equipped with an air flow adjustment button and has three air flow speeds.(low-middle -high air flow level). By pressing the right button, the air flow increases or decreases, and corresponding LEDs for the level will light up. (fig. 6)

Airflow setting	Low	Middle	High
Display			

fig.6

TEMPERATURE SETTINGS

The hair dryer is fitted with 3 temperature levels that can be adjusted by pressing the dedicated button.(low-middle-high temperature level)

By pressing its left button, the temperature increases or decreases , and corresponding LED indicators for the level will light up. The level which is called cool air flow setting has no row of LED light up. (fig. 7)

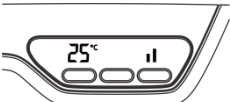
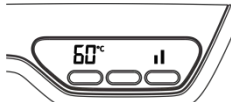


Temperature setting	Cool	Low	Middle	High
	25°C	60°C	75°C	90°C
Display				

fig.7

Intelligent modes

The hair dryer is equipped with three intelligent modes by pressing the mode button :



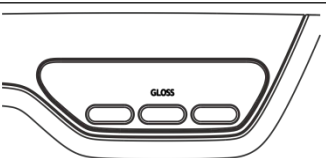
MODE setting	SWING	SCULP	High
	SWING SCULP GLOSS	SWING SCULP GLOSS	SWING SCULP GLOSS
Display			

fig.8

SWING--Mode: Alternative cool and hot air flow in cycles with high temperature and high air flow speed.

SCULP --Mode: Low temperature and middle air flow speed

GLOSS--Mode: High temperature and low air flow speed

COOL SHOT

You can use the ‘Cool shot’ button during hair drying to promote a long-lasting style.

When the Cool shot is activated(press the button all the time), temperature indicator LEDs of previous setting will flash and the appliance will blow cool air. By not pressing it, the temperature return to the previous setting (Cool shot mode deactivation).(fig. 9)

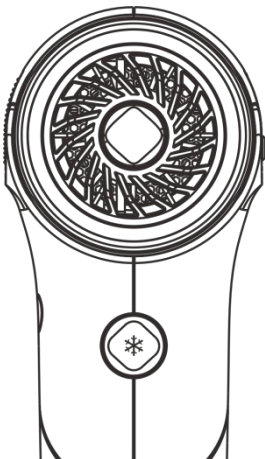


fig.9

MEMORY FUNCTION

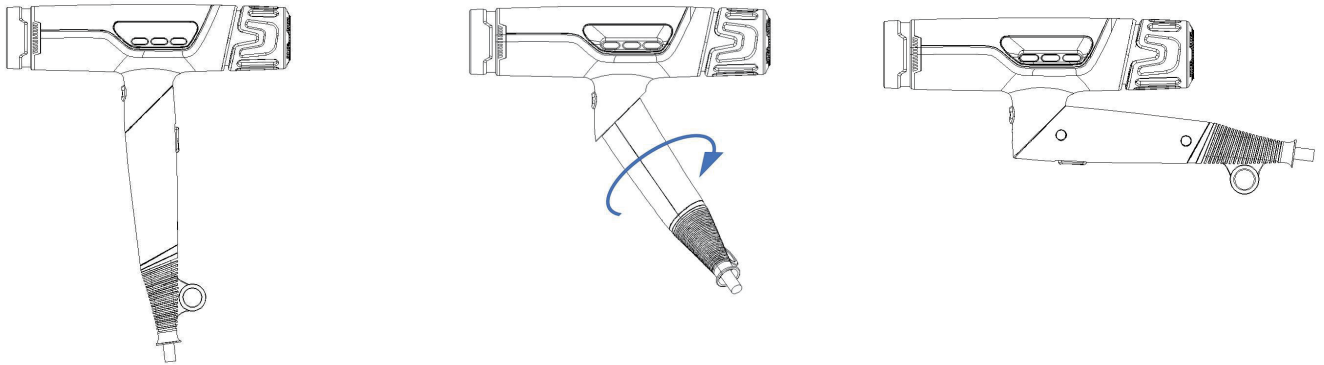
The hair dryer has a memorization function that allows preserving the temperature and speed selected previous use.

This function allows establishing the temperature and the air flow speed ideal for your need a hair type, guaranteeing a practical and efficient use.

HOW TO FOLD AND UNFOLD YOUR HAIR DRYER

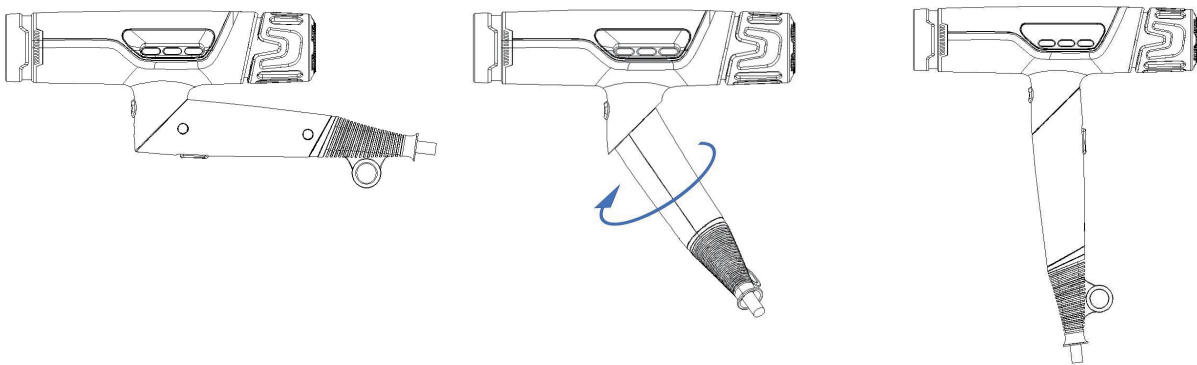
FOLD the hair dryer---Grip the barrel and the handle of the hair dryer with both hands, and then twist in the direction shown in the arrows(FIG11).

Fig.11



Unfold the hair dryer--- And twist in the direction shown in the arrows(fig.12)

Fig.12



IONIC TECHNOLOGY

When the hair is not protected correctly from the external agents, the free radicals can gradually mattify the molecules that provide the colour, oxidating and eliminating the hair's shine.





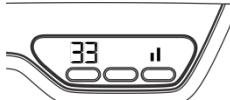
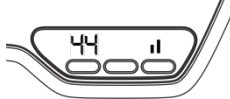



Far-Infrared functional ceramics technology And ionic functional technology , thanks to the emission of active oxygen, has two very important benefits for hair care. First of all it generates the protection necessary against the external environmental agents, providing longer colour. It also makes it possible to deep clean the scalp, restoring the optimal conditions for the growth of the hair. IT ACTS LIKE A STRONG ANTI - BACTERIAL AGENT, and it's scientifically tested. OXY - ACTIVE TECHNOLOGY is ideal for daily use in beauty salons.

Magnetic filter cover

ERROR RECOGNITION/ SELF - DIAGNOSIS (fig. 8)

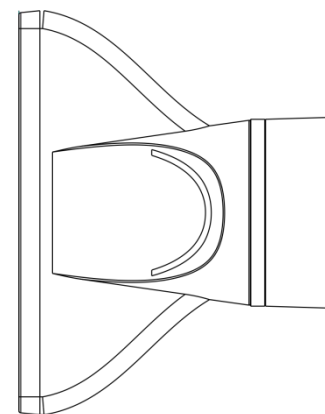
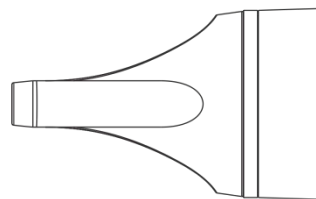
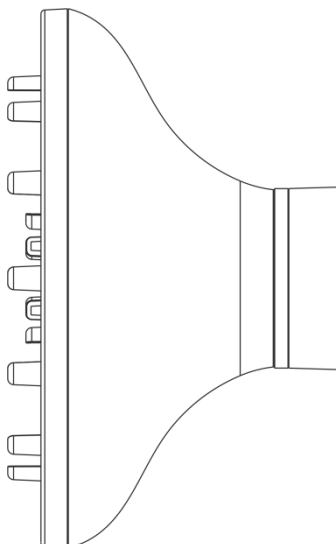
The hair dryer features an error recognition function. If this function detects problems, the appliance will not switch on or will stop working. Depending on the type of error, the LEDs may signal the following:

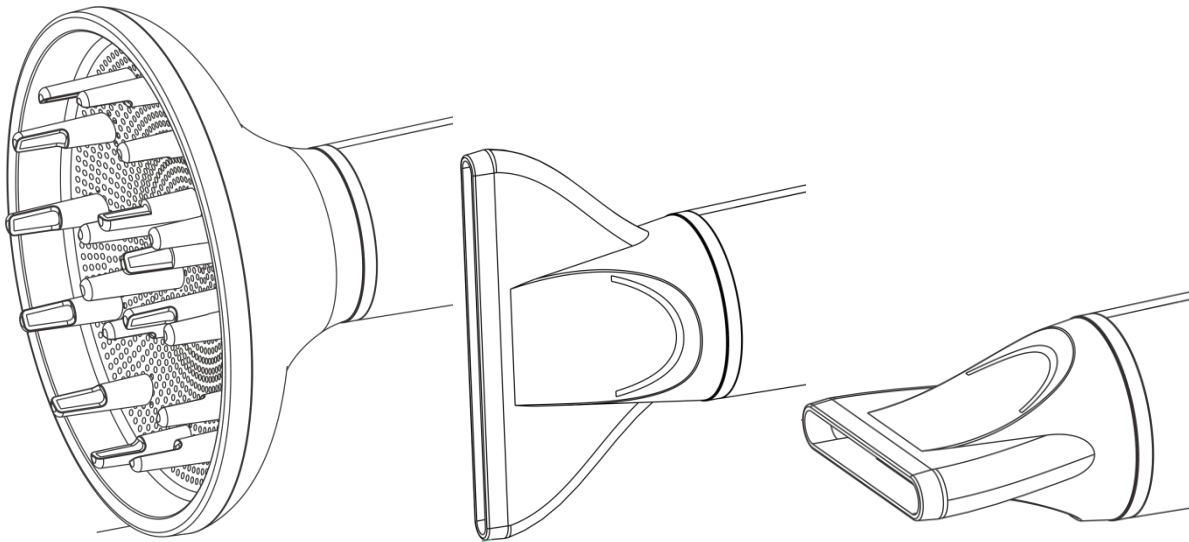
fig.8

Errors	Temperature Display	
OUT-OFF-SENSOR	00	
NTC OUT-OFF-RANGE TEMPERATURE SENSOR	00	
HARDWARE PROTECTION AGAINST OVERCURRENT	11	
SOFTWARE PROTECTION	22	
VOLTAGE BEYOND UPPER RANGE	33	
VOLTAGE BELOW LOWER BANGE	44	
MOTOR JAMMED	55	
DEFECTIVE MOTOR PHASE	66	
Cleaning	77	

ACCESSORIES

- 2 concentrator nozzles
- 1 diffuser





VENTURI EFFECT

The air outlet has been designed to multiply the air flow dispensed by the motor. The extra air flow is produced by the vacuum effect without using any more power.

IMPORTANT:

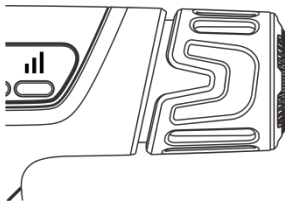
Use only original accessories.

CLEANING AND MAINTENANCE

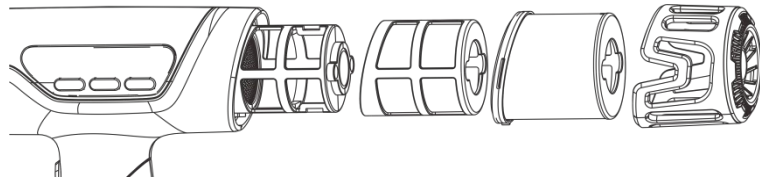
All our hair dryers feature an innovative system that prevents hair getting into contact with motor.

Keep your appliance well maintained in order to ensure the best performance and to extend product life cycle. Before cleaning a unit, unplug it from the power outlet and wait until it cools off.

- Periodically remove dust and hair from the unit.



Close



open(PULL straight)

Regular filter cleaning

Check your filter unit is clear from hair product residue and debris regularly, or when the LED lights alert you. Please clean the filter monthly according to the instructions provided. Damage caused by not carrying out the recommend maintenance is not covered under warranty.

Cleaning the inner filter for every two months is suggested (very important).

- To clean the inner filter, hold the hair dryer by the handle and pull the rear cover (filter holder) off.
- Clean it with a cloth or damp sponge.
- Make sure that it is completely dry before repositioning it in its seat. ,
- Clean the body of the hair dryer with a damp cloth or sponge.
- Make sure that the appliance is completely dry before using it.

